



EXCEL RANGE CURRENT TRANSFORMERS

TE'S CROMPTON INSTRUMENTS



Crompton Instruments Excel range current transformers offer wide system current ratings, apertures, busbar and case sizes to suit every application. Manufactured to meet IEC61869, the range benefits include ratio rating from 1/5 to 6000/5, accuracy up to Class 0.2S with class 1 as standard, hinged terminal cover for safety and multiple mounting options.

CONSTRUCTION

The toroidal core and secondary winding is encapsulated with UL94V-0 approved polycarbonate, in moulded case providing excellent mechanical strength and electrical insulation. The XL range features wire sealable terminal covers.

INSTALLATION OPTIONS

- Plug-in metal feet for wall or base mounting
- Plastic DIN-rail clips for DIN-rail mounting
- Moulded busbar mounting
- Primary copper busbar mounting
- Multi busbar mounting for two busbars

FEATURES

- CT ratios from 1A to 6000A with 5A and 1A secondary's
- Comprehensive range of class accuracy's
- Cost effective moulded case
- Wide range of system current ratings, bus bar sizes, case dimensions and apertures
- Wall, cable, bus bar and DIN rail mounting
- Hinged terminal covers

APPLICATIONS

- IEC 61869
- IEC/EN 60044-1
- BS3938

BENEFITS

- Wide range of apertures and case sizes
- Reduction of high currents for ease of metering
- Long product life

SPECIFICATION

Applicable Standards	IEC 61869, IEC 60044-1, BS3839
Applicable Standards	10% glass filled polycarbonate Flame retardant grades classified UL94V-0
Connection	Two connections each side. M4 screws with self lifting clamp assembly
Insulation Class	E (120°C Maximum)
System Voltage	720V maximum
Test Voltage	4KV 50Hz for 1 min (Except for XL2 model where test voltage is 3KV 50Hz for 1 min)
Operating Frequency	50Hz or 60Hz
Rated secondary output	5A standard (1A on request)
Rated burden	1, 1.25, 1.5, 2.5, 3.75, 5, 7.5, 10, 12.5, 15, 20, 30, 45, 60, 100VA
Class of accuracy	0.2, 0.2S for laboratory and power measurement 0.5, 0.5S for accurate measuring kWh 1 for general measurement
Ambient temperature	-20°C...+45°C
Storage temperature	-50°C...+80°C
Thermal short circuit current (Ith)	60 x In
Dynamic short circuit current (Idyn)	2.5 x Ith
Instrument security factor	5, 10, 15, 20
Rated continuous thermal current	1,2 x in
Degree of protection	IP20

ACCURACY CLASSES

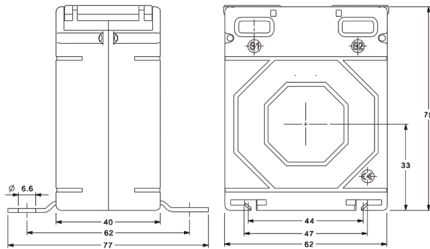
Class 1 accuracy is standard for all CT's in the XL range. Order codes mentioned in the subsequent pages of this datasheet are all Class 1 as standard.

If a higher class accuracy is required, please add -** suffix to order code as required, e.g. XL3A-80/5A = Class 1
XL3A-80/5A-0.5 = Class 0.5

APPLICATION NOTE:

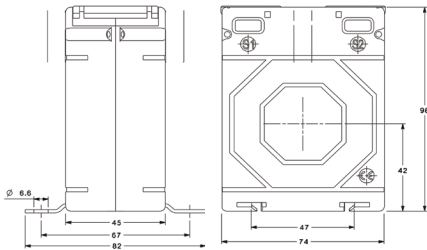
In some cases, where CT model is marked with (*), to achieve class accuracy at low currents between 20A-40A, additional primary turns are required to achieve the required output. As such, these models are only suitable for cable conductors.

XL0A RANGE



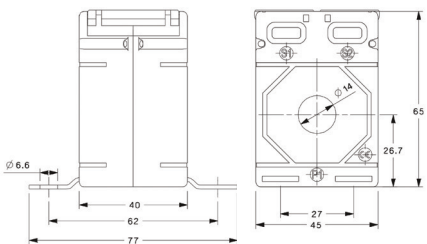
Model type	Primary current	XL range XL0A		
		Accuracy		
		0.2	0.5	1.0
XL0A-1/5A	1A	1VA	2.5VA	5VA
XL0A-2.5/5A	2.5A	1VA	2.5VA	5VA
XL0A-5/5A	5A	1VA	2.5VA	5VA
XL0A-7.5/5A	7.5A	1VA	2.5VA	5VA
XL0A-10/5A	10A	1VA	2.5VA	5VA
XL0A-15/5A	15A	1VA	2.5VA	5VA
XL0A-20/5A	20A	1VA	2.5VA	5VA
XL0A-25/5A	25A	1VA	2.5VA	5VA
XL0A-30/5A	30A	1VA	2.5VA	5VA

XL0B RANGE



Model type	Primary current	XL range XL0B		
		Accuracy		
		0.2	0.5	1.0
XL0B-1/5A	1A	1.5VA	5VA	10VA
XL0B-2.5/5A	2.5A	1.5VA	5VA	10VA
XL0B-5/5A	5A	1.5VA	5VA	10VA
XL0B-7.5/5A	7.5A	1.5VA	5VA	10VA
XL0B-10/5A	10A	1.5VA	5VA	10VA
XL0B-15/5A	15A	1.5VA	5VA	10VA
XL0B-20/5A	20A	1.5VA	5VA	10VA
XL0B-25/5A	25A	1.5VA	5VA	10VA
XL0B-30/5A	30A	1.5VA	5VA	10VA
XL0B-40/5A	40A	1.5VA	5VA	10VA
XL0B-50/5A	50A	1.5VA	5VA	10VA
XL0B-60/5A	60A	1.5VA	5VA	10VA

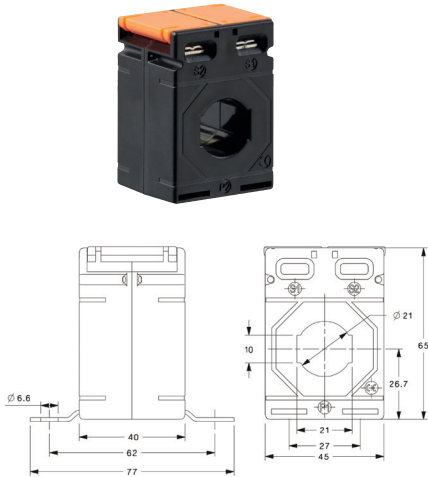
XL1A RANGE



Model type	Primary current	XL range XL1A	
		Accuracy	
		0.5	1.0
XL1A-30/5A	30A	-	1VA
XL1A-40/5A	40A	-	1VA
XL1A-50/5A	50A	-	1.5VA
XL1A-60/5A	60A	-	1.5VA
XL1A-75/5A	75A	1.5VA	2.5VA
XL1A-80/5A	80A	1.5VA	2.5VA
XL1A-100/5A	100A	1.5VA	3.75VA
XL1A-120/5A	120A	1.5VA	3.75VA
XL1A-125/5A	125A	2.5VA	3.75VA
XL1A-150/5A	150A	2.5VA	5VA
XL1A-200/5A	200A	3.75VA	7.5VA
XL1A-250/5A	250A	5VA	7.5VA
XL1A-300/5A	300A	5VA	10VA

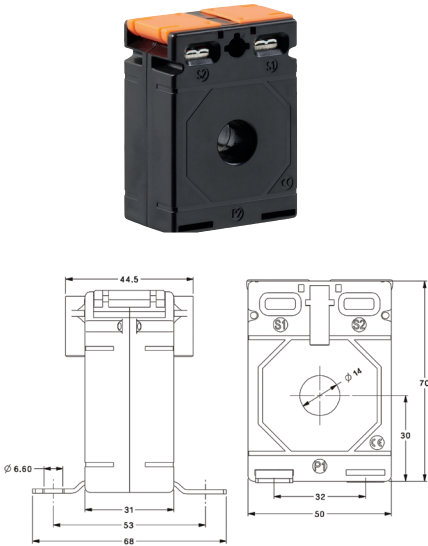
*All dimensions in mm

XL1B RANGE



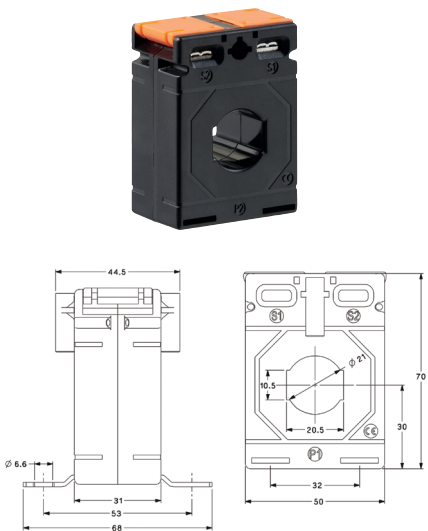
Model type	Primary current	XL range XL1B	
		Accuracy	
		0.5	1.0
XL1B-50/5A	50A	-	1.5VA
XL1B-60/5A	60A	-	1.5VA
XL1B-75/5A	75A	-	2.5VA
XL1B-80/5A	80A	1VA	2.5VA
XL1B-100/5A	100A	1.5VA	3.75VA
XL1B-120/5A	120A	1.5VA	3.75VA
XL1B-125/5A	125A	2.5VA	3.75VA
XL1B-150/5A	150A	2.5VA	5VA
XL1B-200/5A	200A	3.75VA	5VA
XL1B-250/5A	250A	5VA	5VA
XL1B-300/5A	300A	5VA	5VA
XL1B-400/5A	400A	5VA	5VA

XL2A RANGE



Model type	Primary current	XL range XL2A	
		Accuracy	
		0.5	1.0
XL2A-40/5A	40A	-	1VA
XL2A-50/5A	50A	-	1.5VA
XL2A-60/5A	60A	-	1.5VA
XL2A-75/5A	75A	-	1.5VA
XL2A-80/5A	80A	-	1.5VA
XL2A-100/5A	100A	2.5VA	3.75VA
XL2A-120/5A	120A	2.5VA	3.75VA
XL2A-125/5A	125A	2.5VA	3.75VA
XL2A-150/5A	150A	3.75VA	5VA
XL2A-160/5A	160A	3.75VA	5VA
XL2A-200/5A	200A	3.75VA	5VA
XL2A-250/5A	250A	5VA	7.5VA
XL2A-300/5A	300A	7.5VA	7.5VA

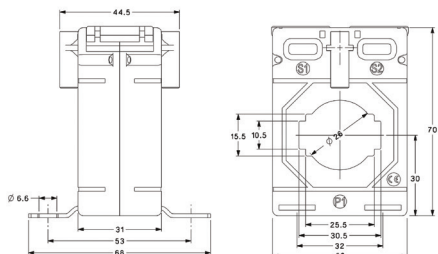
XL2B RANGE



Model type	Primary current	XL range XL2B	
		Accuracy	
		0.5	1.0
XL2B-20/5A (*)	20A	-	1VA
XL2B-30/5A (*)	30A	-	1VA
XL2B-40/5A (*)	40A	-	1VA
XL2B-50/5A	50A	-	1VA
XL2B-60/5A	60A	-	1VA
XL2B-75/5A	75A	-	1.5VA
XL2B-80/5A	80A	1VA	2.5VA
XL2B-100/5A	100A	1.5VA	2.5VA
XL2B-120/5A	120A	2.5VA	2.5VA
XL2B-125/5A	125A	2.5VA	3.75VA
XL2B-150/5A	150A	2.5VA	5VA
XL2B-160/5A	160A	2.5VA	5VA
XL2B-200/5A	200A	3.75VA	5VA
XL2B-250/5A	250A	5VA	5VA
XL2B-300/5A	300A	5VA	7.5VA
XL2B-400/5A	400A	5VA	7.5VA

*All dimensions in mm

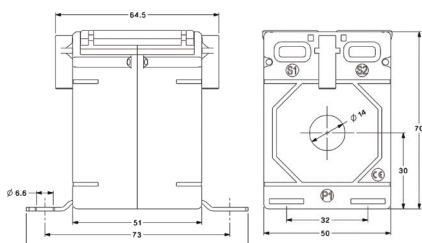
Application note: 20A with 3 primary turns, 30A & 40A with 2 primary turns



XL2C RANGE

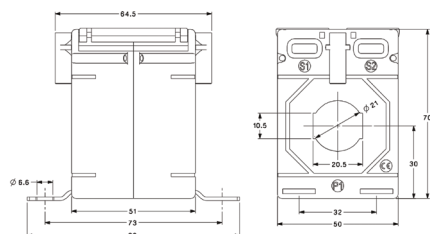
Model type	Primary current	XL RANGE XL2C	
		Accuracy	
		0.5	1.0
XL2C-20/5A (*)	20A	-	1VA
XL2C-40/5A (*)	40A	-	1VA
XL2C-75/5A	75A	-	1VA
XL2C-80/5A	80A	-	1.5VA
XL2C-100/5A	100A	1VA	2.5VA
XL2C-120/5A	120A	1VA	2.5VA
XL2C-125/5A	125A	1VA	2.5VA
XL2C-150/5A	150A	2.5VA	3.75VA
XL2C-160/5A	160A	2.5VA	3.75VA
XL2C-200/5A	200A	2.5VA	5VA
XL2C-250/5A	250A	5VA	5VA
XL2C-300/5A	300A	5VA	5VA
XL2C-400/5A	400A	5VA	6.25VA
XL2C-500/5A	500A	5VA	6.25VA
XL2C-600/5A	600A	5VA	7.5VA

Application note: 20A with 4 primary turns, 40A with 2 primary turns



XL2D RANGE

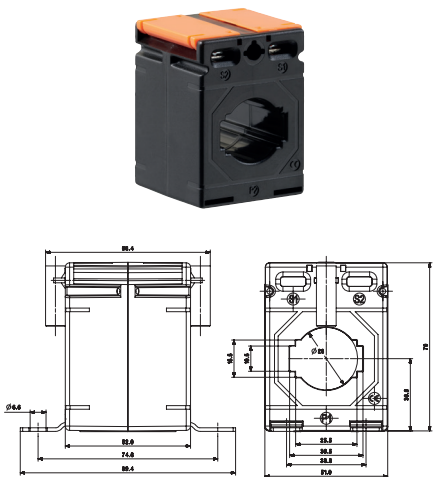
Model type	Primary current	XL range XL2D	
		Accuracy	
		0.5	1.0
XL2D-30/5A	30A	-	1VA
XL2D-40/5A	40A	-	1VA
XL2D-50/5A	50A	1.5VA	1.5VA
XL2D-60/5A	60A	1.5VA	1.5VA
XL2D-75/5A	75A	2.5VA	5VA
XL2D-80/5A	80A	2.5VA	5VA
XL2D-100/5A	100A	3.75VA	5VA
XL2D-120/5A	120A	3.75VA	5VA
XL2D-125/5A	125A	3.75VA	5VA
XL2D-150/5A	150A	5VA	7.5VA
XL2D-200/5A	200A	7.5VA	10VA
XL2D-250/5A	250A	10VA	12.5VA
XL2D-300/5A	300A	10VA	12.5VA



XL2E RANGE

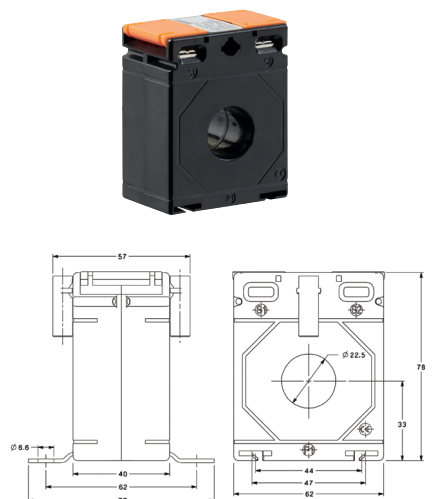
Model type	Primary current	XL range XL2E	
		Accuracy	
		0.5	1.0
XL2E-50/5A	50A	1VA	2.5VA
XL2E-60/5A	60A	1.5VA	3.75VA
XL2E-75/5A	75A	1.5VA	3.75VA
XL2E-80/5A	80A	2.5VA	5VA
XL2E-100/5A	100A	2.5VA	5VA
XL2E-120/5A	120A	3.75VA	5VA
XL2E-125/5A	125A	5VA	5VA
XL2E-150/5A	150A	5VA	10VA
XL2E-200/5A	200A	10VA	12.5VA
XL2E-250/5A	250A	10VA	15VA
XL2E-300/5A	300A	10VA	12.5VA
XL2E-400/5A	400A	10VA	15VA

XL2F RANGE



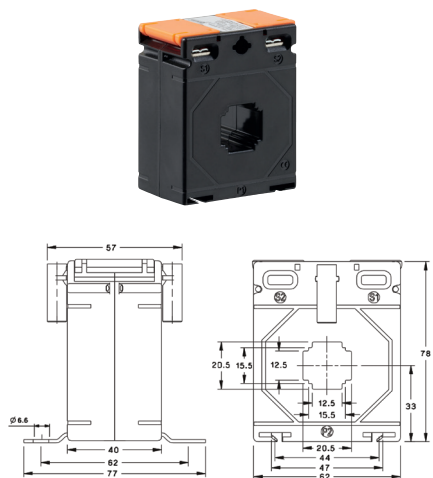
Model type	Primary current	XL range XL2F	
		Accuracy	
		0.5	1.0
XL2F-50/5A	50A	-	2.5VA
XL2F-60/5A	60A	-	2.5VA
XL2F-75/5A	75A	-	2.5VA
XL2F-80/5A	80A	-	5VA
XL2F-100/5A	100A	1VA	3.75VA
XL2F-120/5A	120A	2.5VA	5VA
XL2F-125/5A	125A	2.5VA	5VA
XL2F-150/5A	150A	5VA	5VA
XL2F-200/5A	200A	5VA	7.5VA
XL2F-250/5A	250A	5VA	10VA
XL2F-300/5A	300A	5VA	10VA
XL2F-400/5A	400A	10VA	12.5VA
XL2F-500/5A	500A	10VA	12.5VA
XL2F-600/5A	600A	10VA	15VA

XL3A RANGE



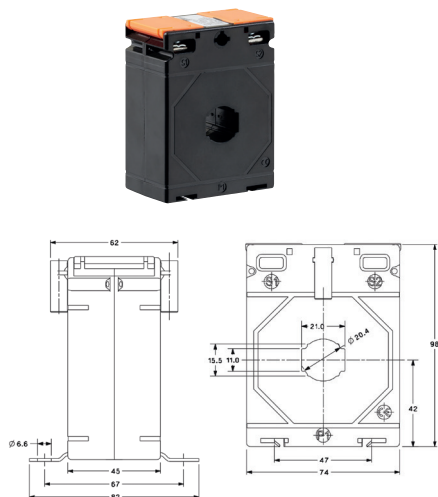
Model type	Primary current	XL range XL3A		
		Accuracy		
		0.2	0.5	1.0
XL3A-50/5A	50A	-	-	1.5VA
XL3A-60/5A	60A	-	-	2.5VA
XL3A-75/5A	75A	-	1.5VA	2.5VA
XL3A-80/5A	80A	-	2.5VA	2.5VA
XL3A-100/5A	100A	1.5VA	2.5VA	5VA
XL3A-120/5A	120A	1.5VA	3.75VA	5VA
XL3A-125/5A	125A	1.5VA	3.75VA	5VA
XL3A-150/5A	150A	2.5VA	5VA	7.5VA
XL3A-200/5A	200A	5VA	7.5VA	10VA
XL3A-250/5A	250A	5VA	10VA	15VA
XL3A-300/5A	300A	5VA	10VA	15VA
XL3A-400/5A	400A	7.5VA	15VA	15VA
XL3A-500/5A	500A	10VA	15VA	15VA
XL3A-600/5A	600A	10VA	15VA	15VA

XL3B RANGE



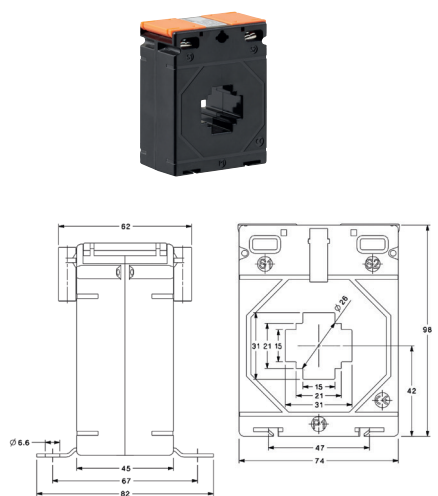
Model type	Primary current	XL range XL3B			
		Accuracy			
		0.2S	0.2	0.5	1
XL3B-50/5A	50A	-	-	-	1.5VA
XL3B-60/5A	60A	-	-	-	2.5VA
XL3B-75/5A	75A	-	-	1.5VA	3.75VA
XL3B-80/5A	80A	-	-	2.5VA	3.75VA
XL3B-100/5A	100A	1.5VA	1.5VA	2.5VA	5VA
XL3B-120/5A	120A	1.5VA	1.5VA	3.75VA	5VA
XL3B-125/5A	125A	1.5VA	1.5VA	3.75VA	5VA
XL3B-150/5A	150A	2.5VA	2.5VA	5VA	7.5VA
XL3B-200/5A	200A	3.75VA	5VA	7.5VA	10VA
XL3B-250/5A	250A	3.75VA	5VA	10VA	15VA
XL3B-300/5A	300A	3.75VA	5VA	10VA	15VA
XL3B-400/5A	400A	5VA	10VA	15VA	15VA
XL3B-500/5A	400A	5VA	10VA	15VA	15VA

XL4A RANGE



Model type	Primary current	XL range XL4A			
		Accuracy			
		0.2S	0.2	0.5	1
XL4A-30/5A	30A	-	-	-	1.5VA
XL4A-40/5A	40A	-	-	-	1.5VA
XL4A-50/5A	50A	-	-	1VA	2.5VA
XL4A-60/5A	60A	-	-	1VA	3.75VA
XL4A-75/5A	75A	-	-	1.5VA	5VA
XL4A-80/5A	80A	-	-	2.5VA	5VA
XL4A-100/5A	100A	1.5VA	1.5VA	5VA	7.5VA
XL4A-120/5A	120A	1.5VA	1.5VA	5VA	10VA
XL4A-125/5A	125A	1.5VA	1.5VA	5VA	10VA
XL4A-150/5A	150A	2.5VA	2.5VA	7.5VA	12.5VA
XL4A-200/5A	200A	5VA	5VA	10VA	15VA
XL4A-250/5A	250A	5VA	5VA	10VA	15VA
XL4A-300A	300A	5VA	7.5VA	15VA	15VA
XL4A-400/5A	400A	5VA	10VA	15VA	20VA
XL4A-500/5A	500A	5VA	10VA	15VA	20VA

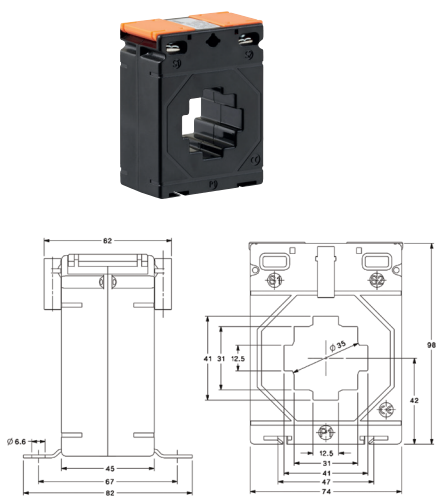
XL4B RANGE



Model type	Primary current	XL range XL4B			
		Accuracy			
		0.2S	0.2	0.5	1
XL4B-30/5A (*)	30A	-	-	-	1VA
XL4B-40/5A (*)	40A	-	-	-	1.5VA
XL4B-50/5A (*)	50A	-	-	-	1.5VA
XL4B-60/5A	60A	-	-	-	2.5VA
XL4B-75/5A	75A	-	-	1.5VA	2.5VA
XL4B-80/5A	80A	-	-	1.5VA	3.75VA
XL4B-100/5A	100A	1.5VA	1.5VA	2.5VA	5VA
XL4B-120/5A	120A	1.5VA	1.5VA	2.5VA	5VA
XL4B-125/5A	125A	1.5VA	1.5VA	2.5VA	5VA
XL4B-150/5A	150A	1.5VA	1.5VA	5VA	7.5VA
XL4B-200/5A	200A	2.5VA	2.5VA	10VA	15VA
XL4B-250/5A	250A	2.5VA	2.5VA	10VA	15VA
XL4B-300/5A	300A	2.5VA	5VA	10VA	15VA
XL4B-400/5A	400A	5VA	7.5VA	15VA	20VA
XL4B-500/5A	500A	5VA	10VA	15VA	20VA
XL4B-600/5A	600A	5VA	15VA	15VA	20VA
XL4B-750/5A	750A	7.5VA	20VA	20VA	30VA
XL4B-800/5A	800A	10VA	30VA	30VA	30VA

Application note: 30A, 40A, 50A with 2 primary turns

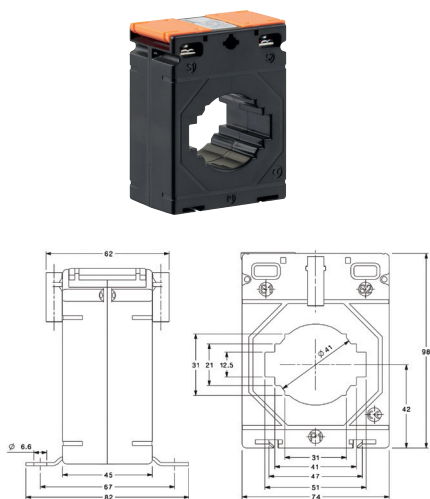
XL4C RANGE



Model type	Primary current	XL range XL4C			
		Accuracy			
		0.2S	0.2	0.5	1
XL4C-40/5A	40A	-	-	-	1VA
XL4C-50/5A	50A	-	-	-	1.5VA
XL4C-60/5A	60A	-	-	-	1.5VA
XL4C-75/5A	75A	-	-	-	2.5VA
XL4C-80/5A	80A	-	-	-	2.5VA
XL4C-100/5A	100A	1VA	-	1.5VA	3.75VA
XL4C-120/5A	120A	1VA	-	1.5VA	2.5VA
XL4C-125/5A	125A	1VA	-	1.5VA	2.5VA
XL4C-150/5A	150A	1.5VA	-	3.75VA	5VA
XL4C-200/5A	200A	2.5VA	2.5VA	5VA	10VA
XL4C-250/5A	250A	2.5VA	2.5VA	5VA	10VA
XL4C-300/5A	300A	5VA	5VA	10VA	15VA
XL4C-400/5A	400A	5VA	10VA	10VA	15VA
XL4C-500/5A	500A	5VA	10VA	15VA	20VA
XL4C-600/5A	600A	5VA	15VA	15VA	20VA
XL4C-750/A	750A	5VA	15VA	15VA	20VA
XL4C-800/5A	800A	7.5VA	15VA	15VA	20VA
XL4C-1000/5A	1000A	10VA	15VA	15VA	20VA

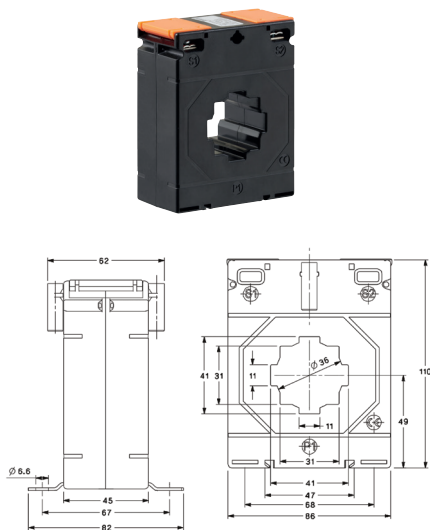
*All dimensions in mm

XL4D RANGE



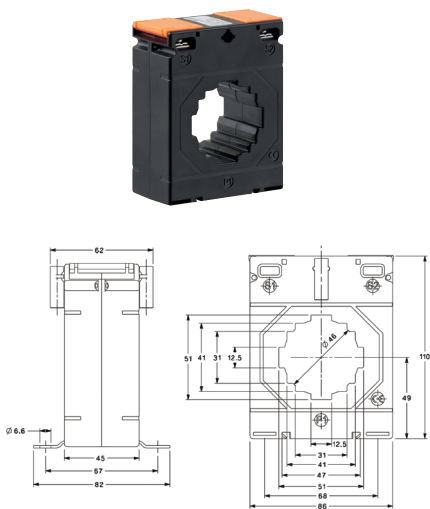
Model type	Primary current	XL range XL4D			
		Accuracy			
		0.2S	0.2	0.5	1
XL4D-100/5A	100A	-	-	-	1.5VA
XL4D-120/5A	120A	-	-	-	1.5VA
XL4D-125/5A	125A	-	-	-	1.5VA
XL4D-150/5A	150A	-	-	-	2.5VA
XL4D-200/5A	200A	-	-	-	3.75VA
XL4D-250/5A	250A	1.5VA	1.5VA	2.5VA	5VA
XL4D-300/5A	300A	1.5VA	1.5VA	5VA	7.5VA
XL4D-400/5A	400A	2.5VA	2.5VA	5VA	7.5VA
XL4D-500/5A	500A	5VA	5VA	7.5VA	10VA
XL4D-600/5A	600A	5VA	7.5VA	10VA	12.5VA
XL4D-750/5A	750A	5VA	10VA	12.5VA	15VA
XL4D-800/5A	800A	5VA	10VA	12.5VA	15VA
XL4D-1000/5A	1000A	5VA	10VA	12.5VA	15VA

XL5A RANGE



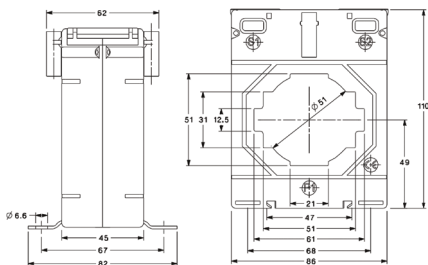
Model type	Primary current	XL range XL5A			
		Accuracy			
		0.2S	0.2	0.5	1
XL5A-50/5A	50A	-	-	-	1.5VA
XL5A-60/5A	60A	-	-	-	1.5VA
XL5A-75/5A	75A	-	-	-	2.5VA
XL5A-80/5A	80A	-	-	-	2.5VA
XL5A-100/5A	100A	1.5VA	1.5VA	2.5VA	5VA
XL5A-120/5A	120A	1.5VA	1.5VA	2.5VA	5VA
XL5A-125/5A	125A	1.5VA	1.5VA	2.5VA	5VA
XL5A-150/A	150A	2.5VA	2.5VA	5VA	5VA
XL5A-200/5A	200A	5VA	2.5VA	7.5VA	15VA
XL5A-250/5A	250A	10VA	5VA	7.5VA	15VA
XL5A-300/5A	300A	10VA	10VA	15VA	15VA
XL5A-400/5A	400A	10VA	15VA	15VA	20VA
XL5A-500/5A	500A	5VA	15VA	30VA	30VA
XL5A-600/5A	600A	7.5VA	15VA	30VA	30VA
XL5A-750/5A	750A	7.5VA	15VA	30VA	30VA
XL5A-800/5A	800A	10VA	15VA	30VA	30VA
XL5A-1000/5A	1000A	10VA	15VA	30VA	30VA

XL5B RANGE



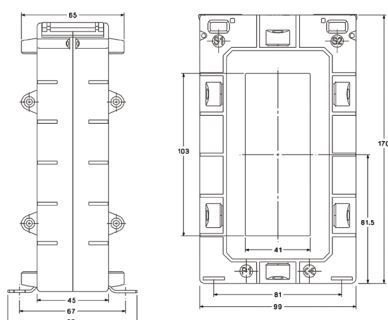
Model type	Primary current	XL range XL5B			
		Accuracy			
		0.2S	0.2	0.5	1
XL5B-100/5A	100A	-	-	1VA	1.5VA
XL5B-120/5A	120A	-	-	1.5VA	2.5VA
XL5B-125/5A	125A	-	-	1.5VA	2.5VA
XL5B-150/5A	150A	-	-	2.5VA	5VA
XL5B-200/5A	200A	2.5VA	1VA	5VA	7.5VA
XL5B-250/5A	250A	2.5VA	1.5VA	7.5VA	10VA
XL5B-300/5A	300A	5VA	3.75VA	7.5VA	10VA
XL5B-400/5A	400A	7.5VA	10VA	15VA	15VA
XL5B-500/5A	500A	7.5VA	10VA	15VA	20VA
XL5B-600/5A	600A	10VA	15VA	15VA	20VA
XL5B-750/5A	750A	7.5VA	15VA	15VA	20VA
XL5B-800/5A	800A	10VA	12.5VA	20VA	30VA
XL5B-1000/5A	1000A	12.5VA	20VA	30VA	30VA
XL5B-1200/5A	1200A	12.5VA	20VA	30VA	30VA
XL5B-1250/5A	1250A	12.5VA	20VA	30VA	30VA

*All dimensions in mm



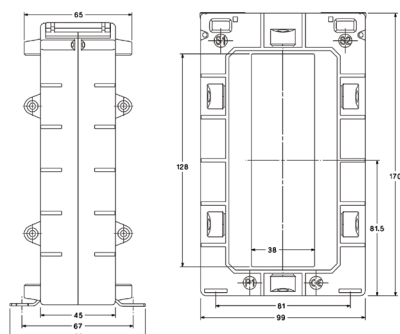
XL5C RANGE

Model type	Primary current	XL range XL5C			
		Accuracy			
		0.2S	0.2	0.5	1
XL5C-100/5A	100A	-	-	-	1VA
XL5C-120/5A	120A	-	-	-	1.5VA
XL5C-125/5A	125A	-	-	-	2.5VA
XL5C-150/5A	150A	-	-	-	2.5VA
XL5C-200/5A	200A	-	-	1.5VA	3.75VA
XL5C-250/5A	250A	-	-	2.5VA	5VA
XL5C-300/5A	300A	1.5VA	1.5VA	5VA	7.5VA
XL5C-400/5A	400A	2.5VA	2.5VA	10VA	12.5VA
XL5C-500/5A	500A	2.5VA	3.75VA	10VA	12.5VA
XL5C-600/5A	600A	5VA	5VA	15VA	15VA
XL5C-750/5A	750A	5VA	10VA	15VA	20VA
XL5C-800/5A	800A	7.5VA	12.5VA	20VA	20VA
XL5C-1000/5A	1000A	10VA	15VA	20VA	20VA
XL5C-1200/5A	1200A	10VA	15VA	20VA	20VA
XL5C-1250/5A	1250A	10VA	15VA	20VA	20VA
XL5C-1500/5A	1500A	10VA	15VA	20VA	20VA
XL5C-1600/5A	1600A	10VA	15VA	20VA	20VA



XL6A RANGE

Model type	Primary current	XLrange XL6A			
		Accuracy			
		0.2S	0.2	0.5	1
XL6A-400/5A	400A	-	-	2.5VA	5VA
XL6A-500/5A	500A	-	-	2.5VA	5VA
XL6A-600/5A	600A	-	-	2.5VA	5VA
XL6A-750/5A	750A	-	-	2.5VA	5VA
XL6A-800/5A	800A	-	-	5VA	10VA
XL6A-1000/5A	1000A	-	5VA	10VA	15VA
XL6A-1200/5A	1200A	5VA	5VA	10VA	15VA
XL6A-1250/5A	1250A	5VA	5VA	10VA	15VA
XL6A-1500/5A	1500A	5VA	5VA	15VA	30VA
XL6A-1600/5A	1600A	7.5VA	10VA	15VA	30VA
XL6A-2000/5A	2000A	7.5VA	10VA	15VA	30VA
XL6A-2500/5A	2500A	10VA	10VA	15VA	30VA

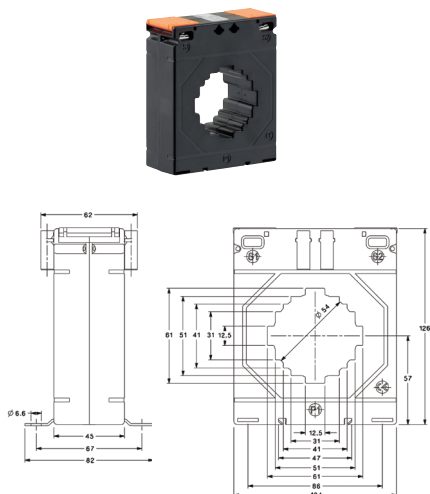


XL6B RANGE

Model type	Primary current	XL range XL6B		
		Accuracy		
		0.2	0.5	1
XL6B-400/5A	400A	-	2.5VA	5VA
XL6B-500/5A	500A	-	2.5VA	5VA
XL6B-600/5A	600A	-	2.5VA	5VA
XL6B-750/5A	750A	-	2.5VA	5VA
XL6B-800/5A	800A	-	5VA	10VA
XL6B-1000/5A	1000A	-	10VA	15VA
XL6B-1200/5A	1200A	-	10VA	15VA
XL6B-1250/5A	1250A	-	10VA	15VA
XL6B-1500/5A	1500A	5VA	15VA	30VA
XL6B-1600/5A	1600A	5VA	15VA	30VA
XL6B-2000/5A	2000A	5VA	15VA	30VA
XL6B-2500/5A	2500A	5VA	15VA	30VA
XL6B-3200/5A	3200A	5VA	10VA	12.5VA

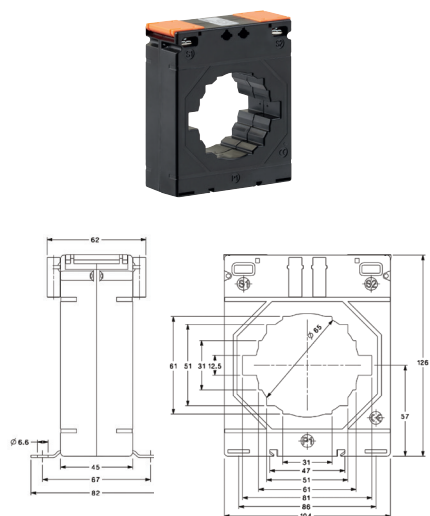
*All dimensions in mm

XL7A RANGE



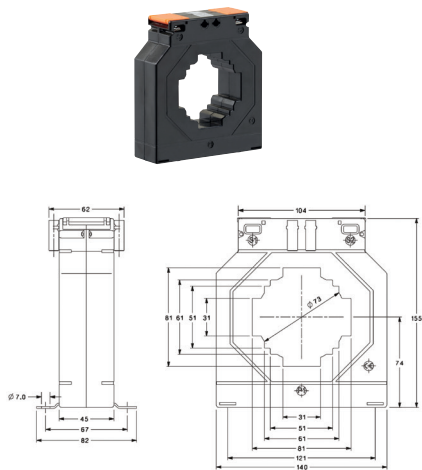
Model type	Primary current	XL range XL7A			
		Accuracy			
		0.2S	0.2	0.5	1
XL7A-100/5A	100A	-	-	-	1.5VA
XL7A-120/5A	120A	-	-	-	2.5VA
XL7A-125/5A	125A	-	-	-	2.5VA
XL7A-150/5A	150A	-	-	2.5VA	5VA
XL7A-200/5A	200A	-	1VA	5VA	10VA
XL7A-250/5A	250A	-	2.5VA	7.5VA	12.5VA
XL7A-300/5A	300A	1.5VA	3.75VA	10VA	15VA
XL7A-400/5A	400A	2.5VA	7.5VA	10VA	15VA
XL7A-500/5A	500A	7.5VA	10VA	15VA	20VA
XL7A-600/5A	600A	15VA	15VA	15VA	30VA
XL7A-750/5A	750A	15VA	15VA	20VA	30VA
XL7A-800/5A	800A	15VA	15VA	30VA	30VA
XL7A-1000/5A	1000A	15VA	20VA	30VA	45VA
XL7A-1200/5A	1200A	15VA	30VA	30VA	45VA
XL7A-1250/5A	1250A	15VA	30VA	30VA	45VA
XL7A-1500/5A	1500A	15VA	30VA	30VA	45VA
XL7A-1600/5A	1600A	15VA	30VA	30VA	45VA

XL7B RANGE



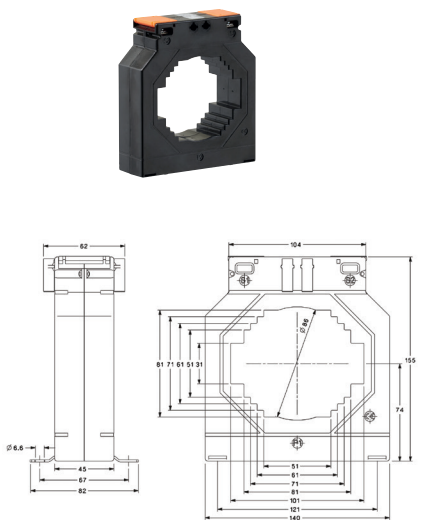
Model type	Primary current	XL range XL7B			
		Accuracy			
		0.2S	0.2	0.5	1
XL7B-200/5A	200A	-	-	-	1.5VA
XL7B-250/5A	250A	-	-	1.5VA	2.5VA
XL7B-300/5A	300A	-	-	2.5VA	7.5VA
XL7B-400/5A	400A	-	1.5VA	7.5VA	10VA
XL7B-500/5A	500A	-	5VA	10VA	10VA
XL7B-600/5A	600A	3.75VA	5VA	10VA	12.5VA
XL7B-750/5A	750A	5VA	5VA	15VA	15VA
XL7B-800/5A	800A	5VA	7.5VA	15VA	15VA
XL7B-1000/5A	1000A	7.5VA	12.5VA	20VA	20VA
XL7B-1200/5A	1200A	10VA	15VA	20VA	30VA
XL7B-1250/5A	1250A	10VA	15VA	20VA	30VA
XL7B-1500/5A	1500A	10VA	15VA	20VA	30VA
XL7B-1600/5A	1600A	10VA	15VA	20VA	30VA
XL7B-2000/5A	2000A	10VA	15VA	20VA	30VA

XL8A RANGE



Model type	Primary current	XL range XL8A			
		Accuracy			
		0.2S	0.2	0.5	1
XL8A-200/5A	200A	-	-	2.5VA	5VA
XL8A-250/5A	250A	-	-	5VA	10VA
XL8A-300/5A	300A	-	1.5VA	7.5VA	15VA
XL8A-400/5A	400A	-	2.5VA	10VA	20VA
XL8A-500/5A	500A	2.5VA	5VA	15VA	30VA
XL8A-600/5A	600A	3.75VA	7.5VA	15VA	30VA
XL8A-750/5A	750A	5VA	10VA	15VA	45VA
XL8A-800/5A	800A	5VA	10VA	15VA	45VA
XL8A-1000/5A	1000A	10VA	15VA	30VA	60VA
XL8A-1200/5A	1200A	12.5VA	15VA	30VA	60VA
XL8A-1250/5A	1250A	12.5VA	30VA	60VA	60VA
XL8A-1500/5A	1500A	15VA	30VA	60VA	60VA
XL8A-1600/5A	1600A	15VA	30VA	60VA	60VA
XL8A-2000/5A	2000A	15VA	30VA	60VA	60VA

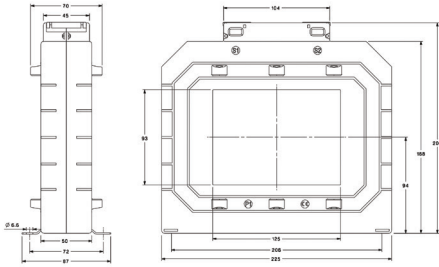
XL8B RANGE



Model type	Primary current	XL range XL8B			
		Accuracy			
		0.2S	0.2	0.5	1
XL8B-200/5A	200A	-	-	1.5VA	3.75VA
XL8B-250/5A	250A	-	-	2.5VA	5VA
XL8B-300/5A	300A	-	-	3.75VA	7.5VA
XL8B-400/5A	400A	-	1.5VA	7.5VA	10VA
XL8B-500/5A	500A	-	2.5VA	10VA	12.5VA
XL8B-600/5A	600A	2.5VA	3.75VA	10VA	15VA
XL8B-750/5A	750A	5VA	5VA	15VA	20VA
XL8B-800/5A	800A	5VA	5VA	15VA	20VA
XL8B-1000/5A	1000A	5VA	10VA	15VA	20VA
XL8B-1200/5A	1200A	10VA	15VA	15VA	30VA
XL8B-1250/5A	1250A	10VA	15VA	15VA	30VA
XL8B-1500/5A	1500A	15VA	20VA	20VA	30VA
XL8B-1600/5A	1600A	15VA	20VA	20VA	45VA
XL8B-2000/5A	2000A	15VA	30VA	45VA	45VA
XL8B-2500/5A	2500A	15VA	30VA	45VA	45VA
XL8B-3000/5A	3000A	15VA	30VA	60VA	60VA
XL8B-4000/5A	4000A	15VA	30VA	60VA	60VA

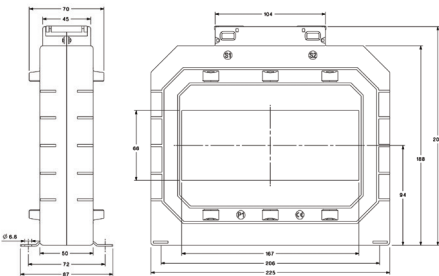
*All dimensions in mm

XL10A RANGE



Model type	Primary current	XL range XL10A			
		Accuracy			
		0.2S	0.2	0.5	1
XL10A-600/5A	600A	-	5VA	5VA	10VA
XL10A-750/5A	750A	-	5VA	10VA	10VA
XL10A-800/5A	800A	-	5VA	10VA	10VA
XL10A-1000/5A	1000A	5VA	10VA	10VA	15VA
XL10A-1200/5A	1200A	5VA	10VA	10VA	15VA
XL10A-1250/5A	1250A	5VA	10VA	10VA	15VA
XL10A-1500/5A	1500A	7.5VA	10VA	15VA	30VA
XL10A-1600/5A	1600A	7.5VA	10VA	15VA	30VA
XL10A-2000/5A	2000A	10VA	10VA	15VA	30VA
XL10A-2500/5A	2500A	10VA	15VA	30VA	30VA
XL10A-3000/5A	3000A	10VA	15VA	30VA	60VA
XL10A-4000/5A	4000A	15VA	30VA	45VA	60VA
XL10A-5000/5A	5000A	15VA	30VA	100VA	100VA
XL10A-6000/5A	6000A	15VA	60VA	100VA	100VA

XL10B RANGE



Model type	Primary current	XL range XL10B			
		Accuracy			
		0.2S	0.2	0.5	1
XL10B-1000/5A	1000A	-	3.75VA	5VA	10VA
XL10B-1200/5A	1200A	-	5VA	10VA	15VA
XL10B-1250/5A	1250A	-	5VA	10VA	15VA
XL10B-1500/5A	1500A	5VA	10VA	15VA	30VA
XL10B-1600/5A	1600A	5VA	10VA	15VA	30VA
XL10B-2000/5A	2000A	7.5VA	10VA	30VA	30VA
XL10B-2500/5A	2500A	10VA	15VA	30VA	45VA
XL10B-3000/5A	3000A	10VA	15VA	30VA	45VA
XL10B-4000/5A	4000A	10VA	15VA	30VA	45VA
XL10B-5000/5A	5000A	15VA	20VA	30VA	45VA
XL10B-6000/5A	6000A	15VA	20VA	30VA	45VA
XL10B-7500/5A	7500A	15VA	20VA	30VA	45VA

*All dimensions in mm

	XL0 model		XL1 model		XL2 model					
	XL0A	XL0B	XL1A	XL1B	XL2A	XL2B	XL2C	XL2D	XL2E	XL2F
Inside Dia (mm)	NA	NA	14	21	14	21	26	14	21	26
Bsubars (mm)			X		X		30 X 10	X		30 X 10
	NA	NA		20 X 10		20 X 10	25 X 15		20 X 10	25 X 15
H	78	98	65	65	70	70	70	70	70	70
Dimensions W (mm)	62	74	45	45	50	50	51	50	50	50
D	40	45	40	40	30	30	30	50	50	50
Din Rail Mounting	•	•	•	•	•	•	•	X	X	X
Panel or Wall Mounting	•	•	•	•	•	•	•	•	•	•
Busbar Mounting	NA	NA	•	•	•	•	•	•	•	•
Terminal Cover	•	•	•	•	•	•	•	•	•	•
Primary Current	1A→30A	1A→60A	1A→300A	50A→400A	40A→300A	40A→400A	75A→600A	30A→300A	50A→400A	40A→600A
Class of Accuracy	0.2/0.5/1	0.2/0.5/1	0.5/1	0.5/1	0.5/1	0.5/1	0.5/1	0.5/1	0.5/1	0.5/1
Max. VA Burden	5	10	5	7.5	7.5	7.5	7.5	12.5	15	15

	XL3 model					XL4 model			
	XL3A	XL3B	XL3C	XL3E	XL3D	XL4A	XL4B	XL4C	XL4D
Inside Dia (mm)	22.5	NA	30.5	28	31	20.4	26	35	41
Bsubars (mm)		20 X 10	30 X 10		40 X 10		30 X 15	40 X 10	40 X 20
	NA	15 X 15	25 X 25	30 X 10	30 X 20	20 X 10	20 X 20	30 X 30	30 X 30
H	78	78	78	78	78	98	98	98	98
Dimensions W (mm)	62	62	62	62	62	74	74	74	74
D	40	40	40	50	40	45	45	45	45
Din Rail Mounting	•	•	•	•	•	•	•	•	•
Panel or Wall Mounting	•	•	•	•	•	•	•	•	•
Busbar Mounting	X	•	•	•	•	•	•	•	•
Terminal Cover	•	•	•	•	•	•	•	•	•
Primary Current	50A→600A	50A→400A	50A→800A	40A→800A	100A→800A	50A→400A	60A→800A	40A→1000A	100A→1000A
Class of Accuracy	0.2S/0.2/0.5/1	0.2S/0.2/0.5/1	0.2S/0.2/0.5/1	0.2S/0.2/0.5/1	0.2S/0.2/0.5/1	0.2S/0.2/0.5/1	0.2S/0.2/0.5/1	0.2S/0.2/0.5/1	0.2S/0.2/0.5/1
Max. VA Burden	15	15	15	30	10	20	30	20	15

XL range current transformers

	XL5 model			XL6 model		XL7 model	
	XL5A	XL5B	XL5C	XL6A	XL6B	XL7A	XL7B
Inside Dia (mm)	36	45	51	NA	NA	65	65
						60 X 10	80 X 10
Bsubars (mm)	40 X 10	50 X 10	60 X 10	40 X 100	40 X 125	50 X 30	60 X 30
	30 X 30	40 X 30	50 X 30			40 X 40	50 X 50
H	110	110	110	170	170	126	126
Dimensions W (mm)	86	86	86	99	99	104	104
D	45	45	45	45	45	45	45
Din Rail Mounting	•	•	•	X	X	•	•
Panel or Wall Mounting	•	•	•	•	•	•	•
Busbar Mounting	•	•	•	•	•	•	•
Terminal Cover	•	•	•	•	•	•	•
Primary Current	60A→1000A	100A→1250A	100A→1600A	400A→2500A	400A→3200A	100A→1600A	200A→2000A
Class of Accuracy	0.2S/0.2/ 0.5/1	0.2S/0.2/ 0.5/1	0.2S/0.2/ 0.5/1	0.2S/0.2/ 0.5/1	0.2/0.5/1	0.2S/0.2/ 0.5/1	0.2S/0.2/ 0.5/1
Max. VA Burden	30	30	20	30	30	45	30

	XL8 model			XL9 model	XL10 model	
	XL8A	XL8B	XL8C	XL9A	XL10A	XL10B
Inside Dia (mm)	73	86	86	NA	NA	NA
		100 X 30	30 X 100			
Bsubars (mm)	80 X 30	80 X 50	50 X 80	70 X 130	125 X 90	165 X 65
	60 X 50	70 X 60	60 X 70			
H	155	155	155	185	206	206
Dimensions W (mm)	140	140	140	140	225	225
D	45	45	45	45	50	50
Din Rail Mounting	X	X	X	X	X	X
Panel or Wall Mounting	•	•	•	•	•	•
Busbar Mounting	•	•	•	•	•	•
Terminal Cover	•	•	•	•	•	•
Primary Current	200A→2000A	200A→4000A	200A→3000A	400A→5000A	600A→6000A	1000A→5000A
Class of Accuracy	0.2S/0.2/ 0.5/1	0.2S/0.2/ 0.5/1	0.2S/0.2/ 0.5/1	0.2/0.5/1	0.2S/0.2/ 0.5/1	0.2S/0.2/ 0.5/1
Max. VA Burden	60	60	60	20	20	20

Accuracy Class:- A designation assigned to a current transformer the errors of which remain within specified limit under prescribed conditions of use.

Rated Burden:- The impedance of the secondary circuit on which the accuracy requirements are based. It is usually expressed as apparent power (in VA), at the rated secondary current and at a specified power factor.

Rated Output:- The value of the apparent power (in volt-amperes at a specified power factor) which the current transformer is intended to supply to the secondary circuit at the rated secondary current and with rated burden connected to it.

Highest System Voltage:- The highest rms line to line voltage which can be sustained under normal operating conditions at any time and at any point on the system. It excludes temporary voltage variations due to fault condition and the sudden disconnection of large loads.

Rated Insulation Level:- That combination of voltage values (power frequency and lightning impulse, or where applicable, lightning and switching impulse) which characterizes the insulation of a transformer with regard to its capability to withstand by dielectric stresses. For low voltage transformer the test voltage 4kV, at power-frequency, applied during 1 minute.

Rated Short Time Thermal Current (I_{th}):- The RMS value of the primary current which the current transformer will withstand for a rated time, with their secondary winding short circuits without suffering harmful effects.

Rated Dynamic Current (I_{dyn}):- The peak value of the primary current which a current transformer will withstand, without being damaged electrically or mechanically by the resulting electromagnetic forces, the secondary winding being short-circuited.

Rated Continuous Thermal Current:- The value of current which can be permitted to flow continuously in the primary winding, the secondary windings being connected to the rated burdens, without the temperature rise exceeding the specified values.

Instrument Security Factor (ISF):- Instrument Security Factor is the ratio of Instrument Limit Primary Current to the rated Primary Current. Instrument Limit Current of a metering Current Transformer is the maximum value of primary current beyond which Current Transformer core becomes saturated. Instrument Security Factor of CT is the significant factor for choosing the metering Instruments which to be connected to the secondary of the CT. Security or Safety of the measuring unit is better, if ISF is low.





TE Connectivity Ltd. is a \$14 billion global technology and manufacturing leader creating a safer, sustainable, productive, and connected future. For more than 75 years, our connectivity and sensor solutions, proven in the harshest environments, have enabled advancements in transportation, industrial applications, medical technology, energy, data communications, and the home. With 80,000 employees, including more than 8,000 engineers, working alongside customers in approximately 140 countries, TE ensures that EVERY CONNECTION COUNTS. Learn more at www.te.com and on [LinkedIn](#), [Facebook](#), [WeChat](#) and [Twitter](#).

Generation

- Conventional Power
- Nuclear Power
- Wind/Solar
- Hydro-electric

Transmission & Distribution

- Substation
- Underground
- Overhead
- Street Lighting

Industry

- Mining
- Petrochemical
- Railway
- Shipbuilding

WHEREVER ELECTRICITY FLOWS, YOU'LL FIND TE ENERGY



te.com/energy

FOR MORE INFORMATION: TE Technical Support Centers

USA: +1 800 327 6996
UK: +44 1376 509 401
Australia: +61 1300 656 090
Singapore: +65 6590 5151
Hong Kong: +852 2790 9609

crompton-instruments.com

© 2018 TE Connectivity Ltd. family of companies. All Rights Reserved. EPP-3257-12/18

TE Connectivity, the TE connectivity (logo) and Crompton Instruments are trademarks of the TE Connectivity Ltd. family of companies. Other logos, product and Company names mentioned herein may be trademarks of their respective owners. While TE has made every reasonable effort to ensure the accuracy of the information in this brochure, TE does not guarantee that it is error-free, nor does TE make any other representation, warranty or guarantee that the information is accurate, correct, reliable or current. TE reserves the right to make any adjustments to the information contained herein at any time without notice. TE expressly disclaims all implied warranties regarding the information contained herein, including, but not limited to, any implied warranties of merchantability or fitness for a particular purpose. The dimensions in this brochure are for reference purposes only and are subject to change without notice. Specifications are subject to change without notice. Consult TE for the latest dimensions and design specifications.